

DATA SHEET

U 5.166

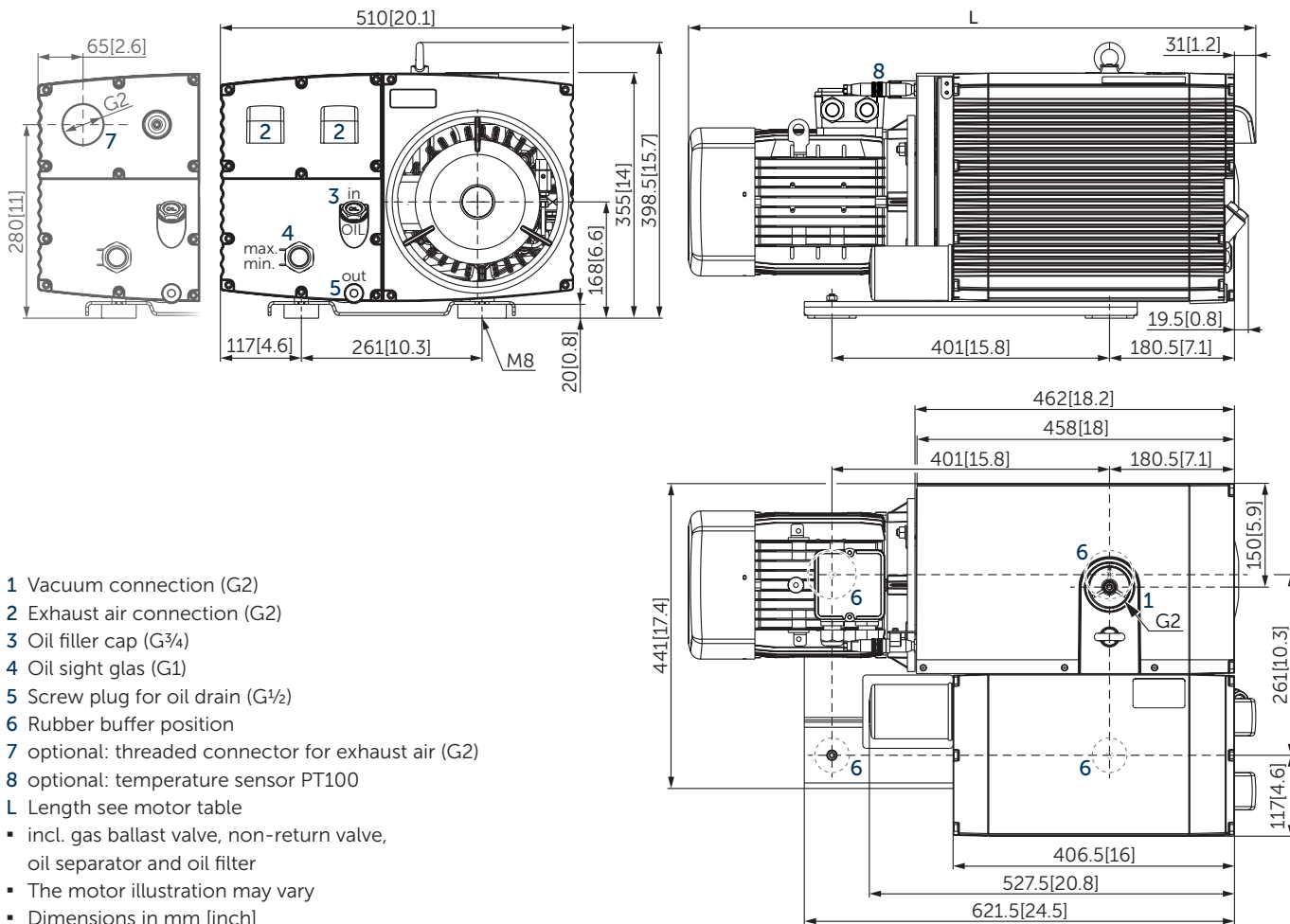
ROTARY VANE- VACUUM PUMPS

oil-lubricated

air-cooled

MAKE IT BECKER.





- 1 Vacuum connection (G2)
- 2 Exhaust air connection (G2)
- 3 Oil filler cap (G³/₄)
- 4 Oil sight glas (G1)
- 5 Screw plug for oil drain (G¹/₂)
- 6 Rubber buffer position
- 7 optional: threaded connector for exhaust air (G2)
- 8 optional: temperature sensor PT100
- L Length see motor table
 - incl. gas ballast valve, non-return valve, oil separator and oil filter
 - The motor illustration may vary
 - Dimensions in mm [inch]

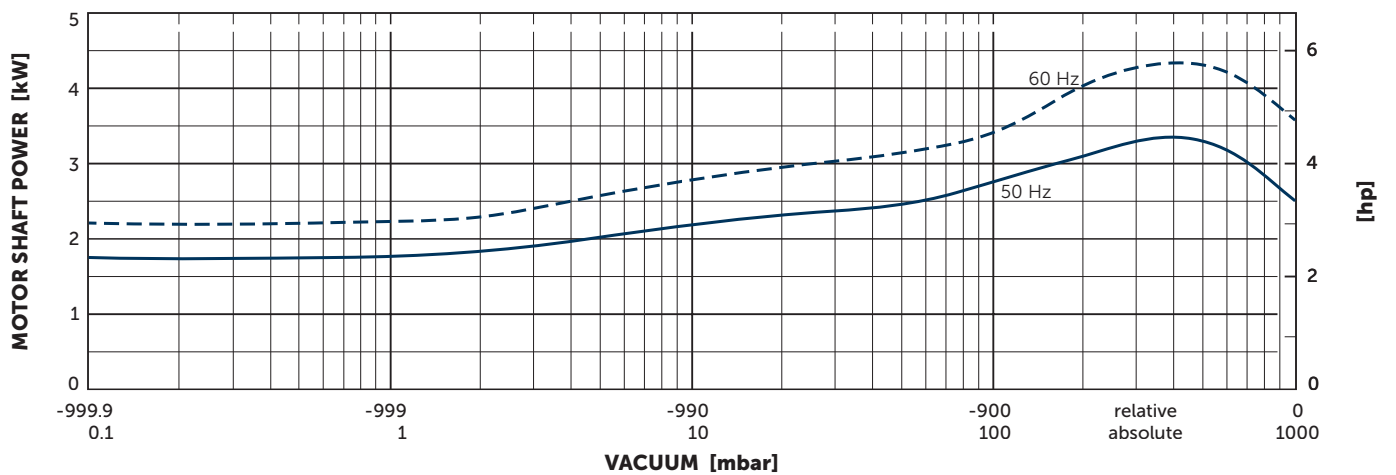
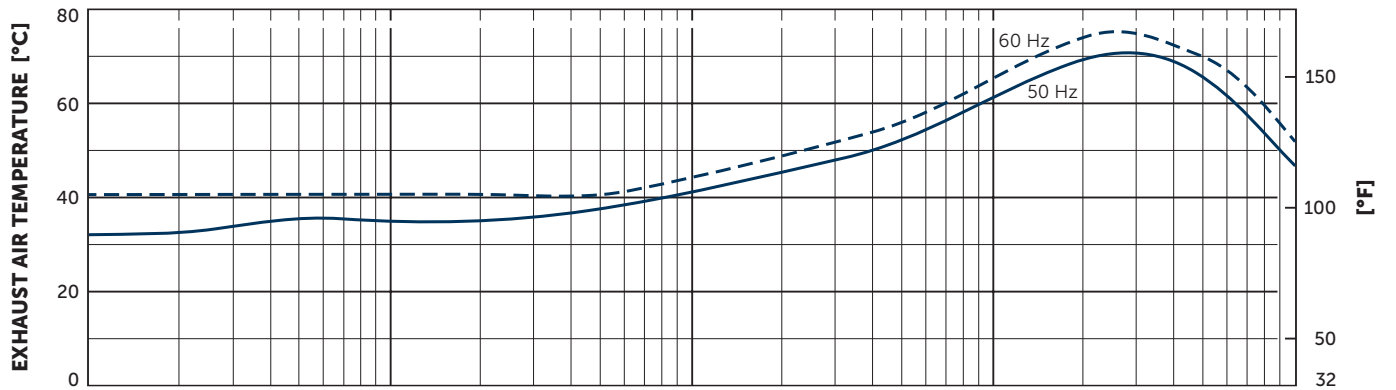
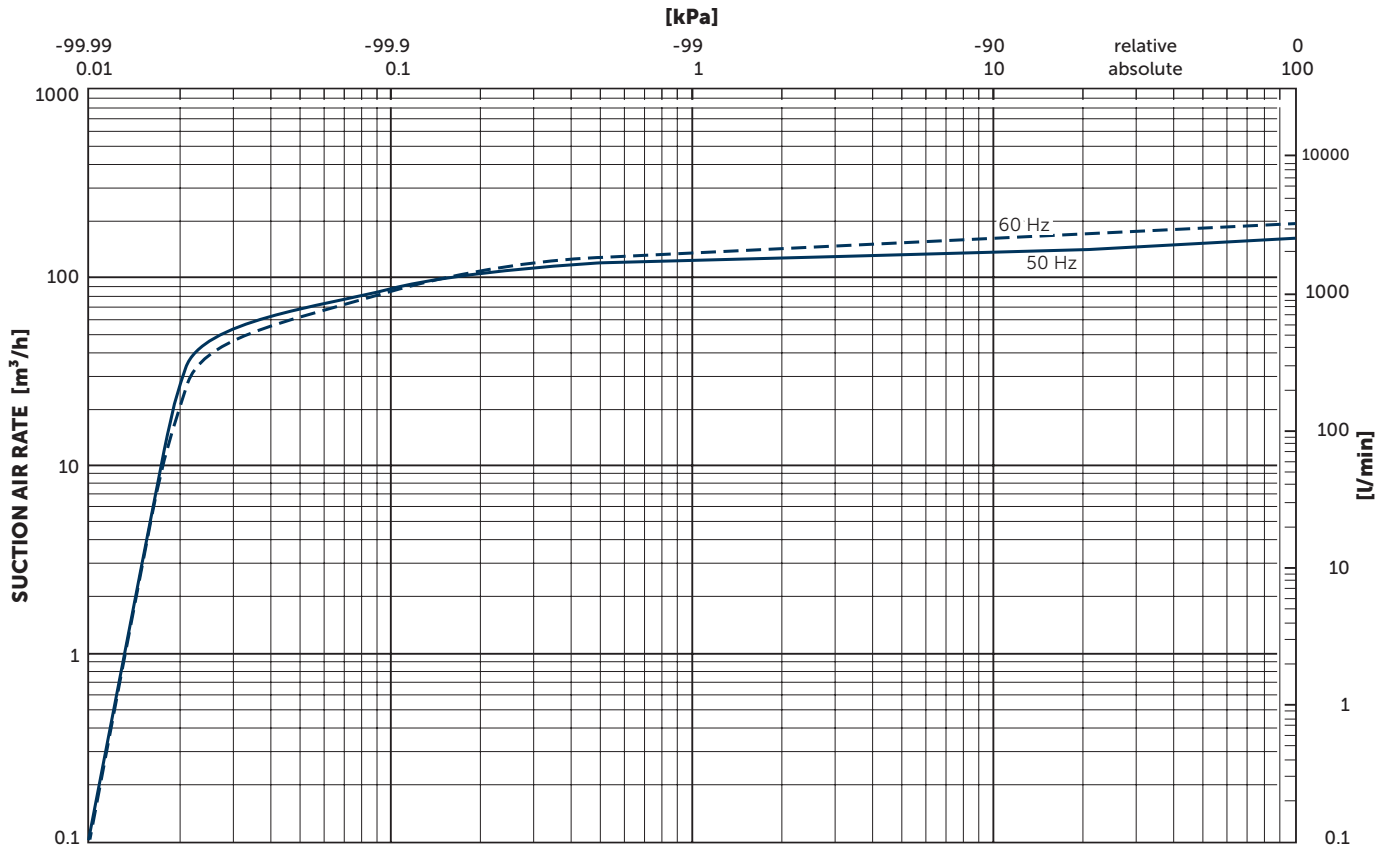
Nominal capacity		Vacuum absolute for continous operation		Motors		Emission sound pressure level ¹⁾		Weight w/o motor	Oil ²⁾
m ³ /h		mbar		kW		dB(A)		kg	l
50 Hz	60 Hz	50 Hz	60 Hz	50 Hz	60 Hz	50 Hz	60 Hz		
165	198	<0,1–100	<0,1–100	3.0	3.6	70	72	70	5
165	198	<0,1–400	<0,1–400	4.0	4.8	70	72	70	5

¹⁾ According to DIN EN ISO 11203, accuracy class of measurement: class 2, extended measurement uncertainty: 3 dB
 1 m [39.4 inch] distance, at medium load, both connection sides piped

²⁾ Becker Lube M100 mineral • S100 synthetic • SL100 food

▪ Gas ballast valve: vacuum 1.0 mbar absolute with opened gas ballast valve; water vapour tolerance max. 7 mbar; water vapour capacity max. 0.3 l/h (at 85°C operating temperature)

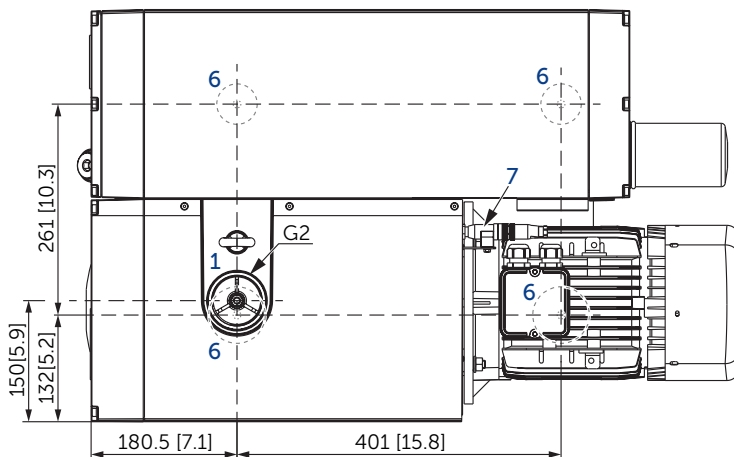
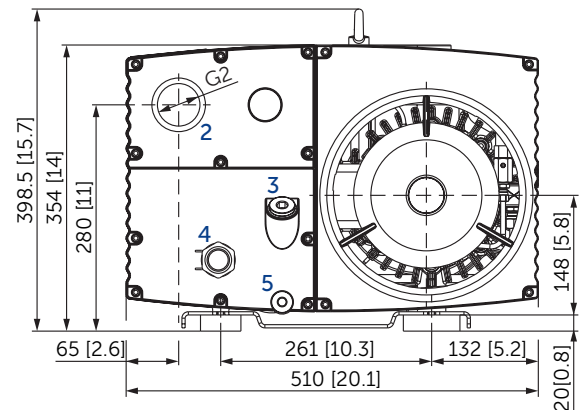
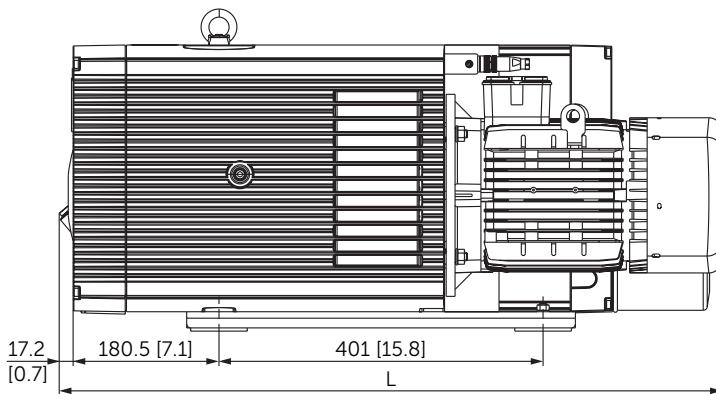
3~ Motors												L	
#	50 Hz					60 Hz				Version	Weight kg	mm [inch]	
	kW	V	min ⁻¹	A	kW	V	min ⁻¹	A					
01	3.0	Δ230/Y400	IE3	1458	11.4/6.57	3.6	Δ265/Y460 Δ230/Y400	IE3	1749 – 1736	11.2/6.48 12.0/6.94	UL (E365362) • CSA IP 55 • ISO F • bimetal	37	842 [33.2]
02						3.6	YY230/Y460 YY208	IE3	1750 – 1737	12.7/6.34	UL (E365362) • CSA IP 55 • ISO F • bimetal	37	842 [33.2]
03	3.0	Δ200/Y350	IE3	1463	12.9/7.47	3.6	Δ200/Y380–400 Δ200/Y350	IE3	1753 – 1739	13.2/7.6–7.24 13.8/8.0	UL (E365362) • CSA IP 55 • ISO F • bimetal	37	842 [33.2]
04						3.6	Δ400	IE3	1755	7.28	UL (E365362) • CSA IP 55 • ISO F • bimetal	37	842 [33.2]
05	4.0	Δ230/Y400	IE3	1450	14.9/8.6	4.8	Δ265/Y460 Δ230/Y400	IE3	1740 – 1710	14.8/8.5 16.0/9.2	UL (E365362) • CSA IP 55 • ISO F • bimetal	34	820 [32.3]
06						4.8	YY230/Y460 YY208	IE3	1740 – 1710		UL (E365362) • CSA IP 55 • ISO F • bimetal	34	820 [32.3]
07	4.0	Δ200/Y350				4.8	Δ200/Y380–400 Δ200/Y350	IE3	1740 – 1710		UL (E365362) • CSA IP 55 • ISO F • bimetal	34	820 [32.3]
08						4.8	Δ400	IE3	1740	9.8	UL (E365362) • CSA IP 55 • ISO F • bimetal	34	820 [32.3]



Suction air rate refers to the intake pressure
 Reference data (atmosphere): 1000 mbar (100 kPa), 20°C (68°F)
 Tolerance: ±10%

+ VARIANTS AND ACCESSORIES

- Optional **GAS BALLAST VALVE** for increased water vapour tolerance (3.0 mbar absolute)
water vapour tolerance: max. 50 mbar; water vapour capacity: max. 2.0 l/h (at 85°C operating temperature)
- **THREADED CONNECTOR** for exhaust air (G2)
- **U 5.166 O2-PACK**¹⁾ for packaging with an overconcentration of oxygen
- **U 5.166/0-62XL** with enlarged oil tank and high efficient triple stage oil separation,
weight without motor: 80 kg, oil quantity: 10 l, further technical data, motors and characteristic curves like standard pump



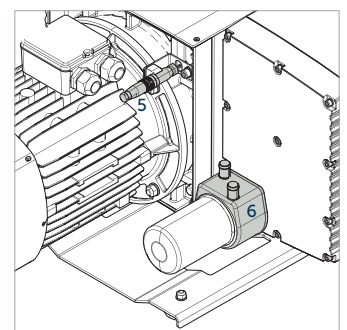
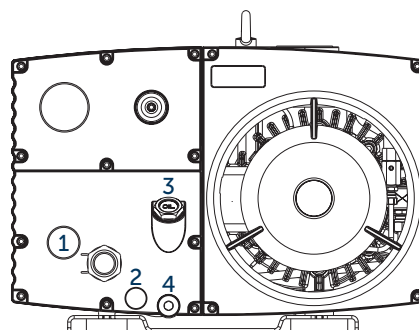
U 5.166/0-62XL

- 1 Vacuum connection (G2)
 - 2 Exhaust air connection (G2)
 - 3 Oil filler cap (G³/₄)
 - 4 Oil sight glass (G1)
 - 5 Screw plug for oil drain (G¹/₂)
 - 6 Rubber buffer position
 - 7 Optional temperature sensor PT100
- L Length see motor table

- incl. gas ballast valve, non-return valve, oil separator and oil filter
- The motor illustration may vary
- Dimensions in mm [inch]

ACCESSORIES

- 1 Oil level switch¹⁾ (G1)
 - 2 Oil temperature monitor¹⁾ (G¹/₂)
 - 3 Maintenance indicator¹⁾ (G³/₄) for oil separating elements
 - 4 Ball valve (G¹/₂), with locking and hose connector 19 mm (0.75 inch)
 - 5 Temperature sensor PT100
 - 6 Water cooler U5.200-0-114.2¹⁾
- External suction filter
 - Oil: Becker Lube M100 mineral, S100 synthetic and SL100 food



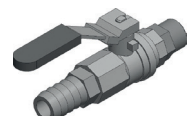
Oil level switch



Oil temperature monitor



Maintenance indicator



Ball valve

¹⁾ See separate data sheet
• Combination options on request



MAKE IT BECKER.